



Apple Manuals



Apple ][ Pascal



Macintosh



SwyftCard



Canon Cat

# Jef Raskin Information

*HARDWARE SCHEMATICS*

*CAT*

DOCUMENT NO. *41*

COMPILED BY  
DAVID T. CRAIG  
736 EDGEWATER, WICHITA, KS 67230 USA  
E-MAIL: 71533.606@compuserve.com



Apple Manuals



Apple ][ Pascal



Macintosh



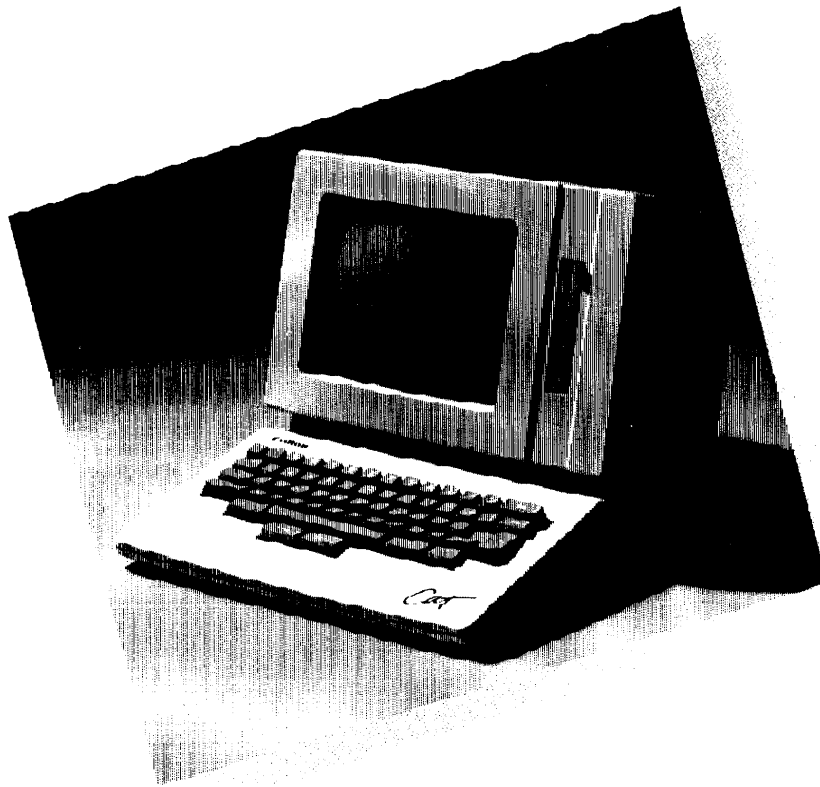
SwyftCard



Canon Cat

Canon Cat Computer Technical Information

# CANON CAT HARDWARE SCHEMATICS



**Canon** *Cat*  
The Advanced WORK Processor

1-3. System Overview

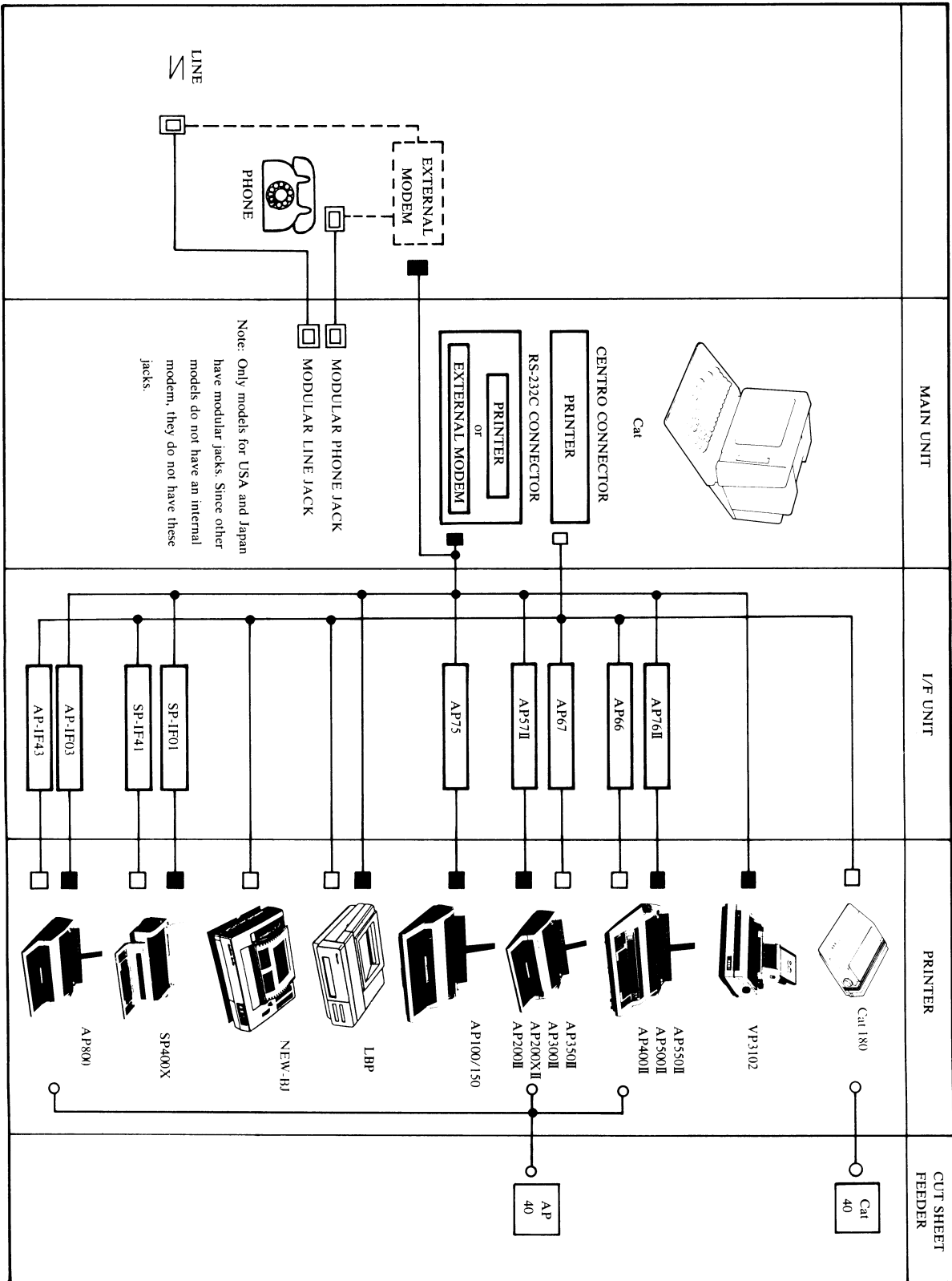


Fig. 1-2

1-4. Block Diagram

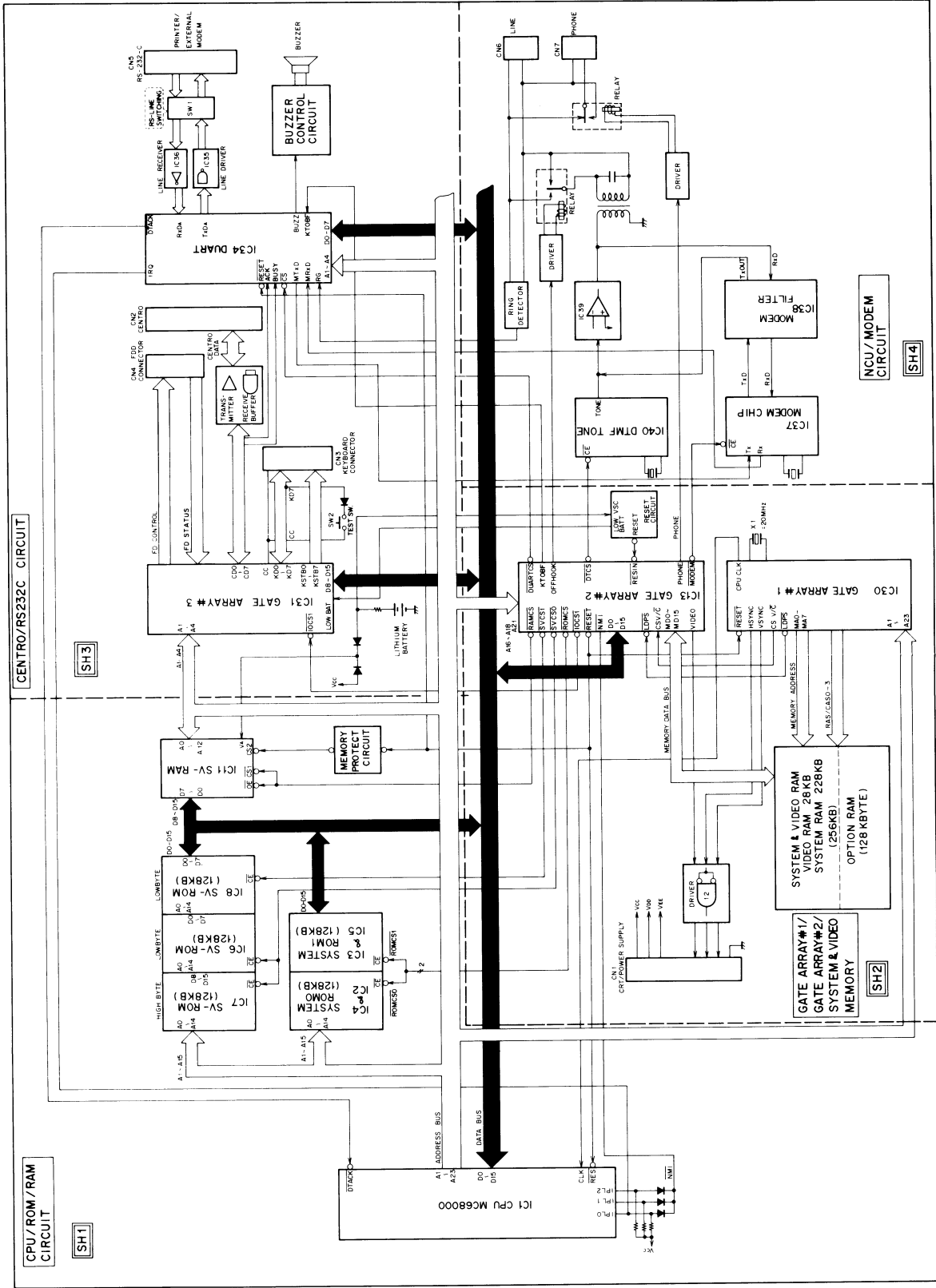


Fig. 1-3

1-6. Connector Layout

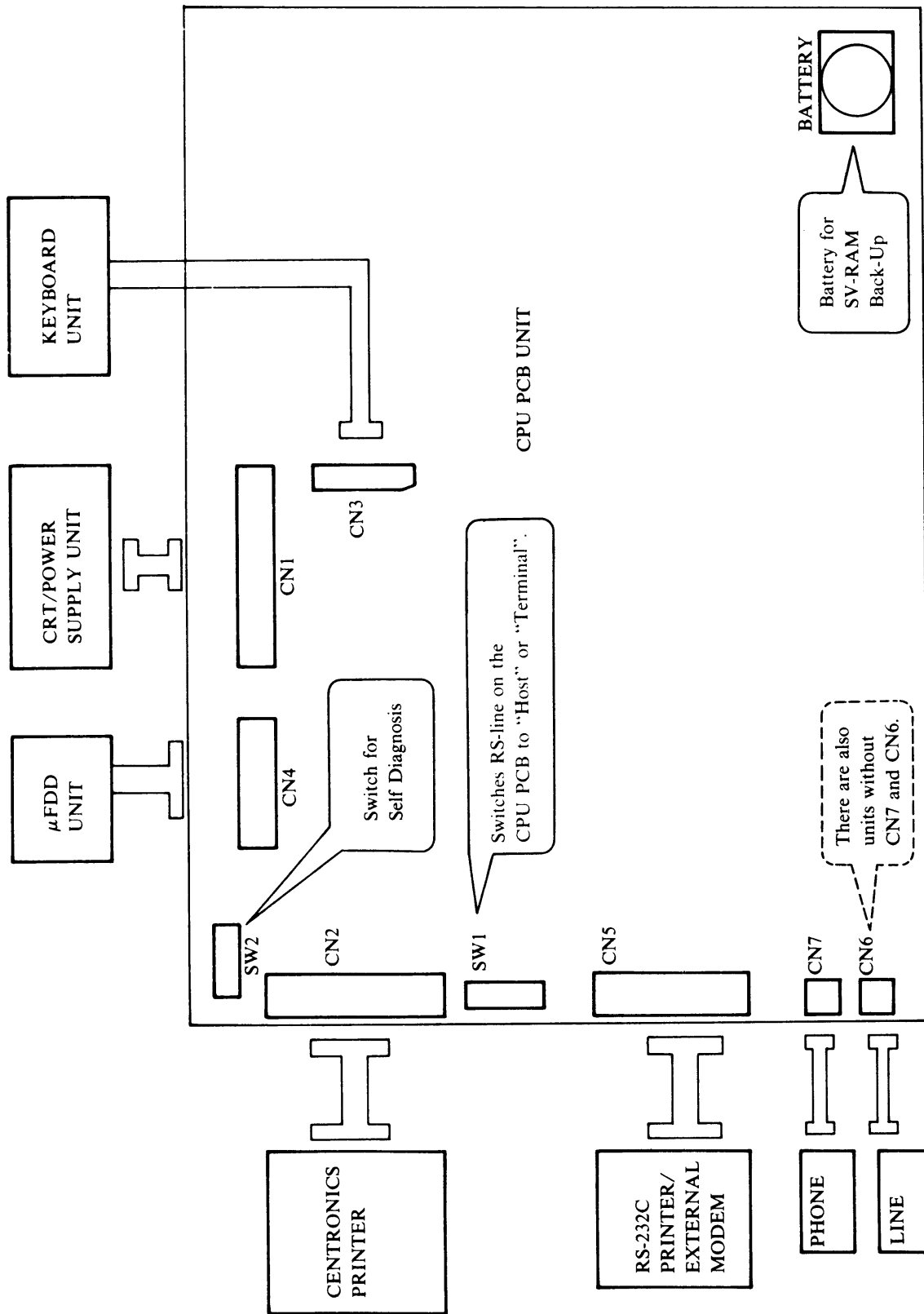
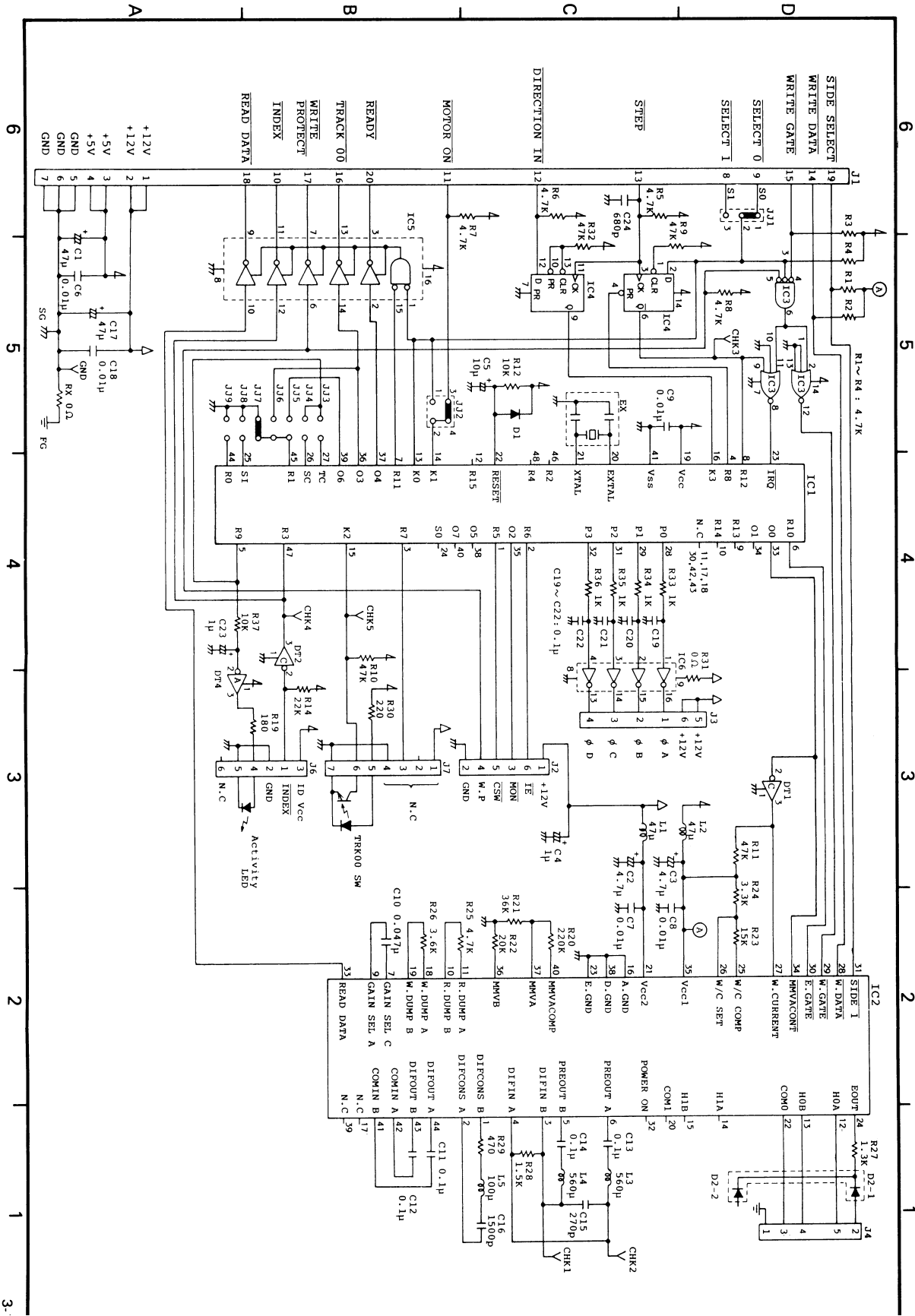


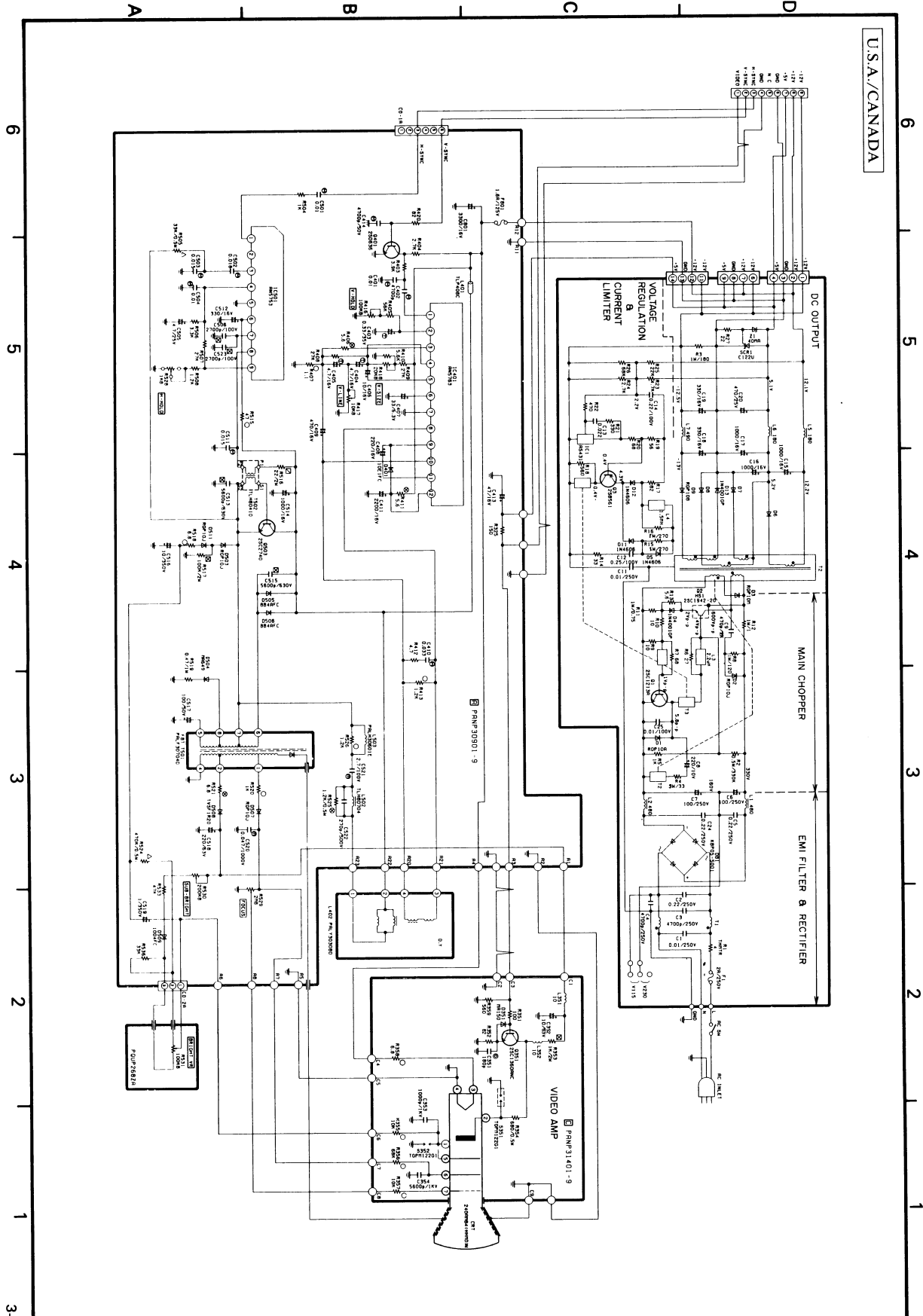
Fig. 1-4

3.1.  $\mu$ FDD Unit

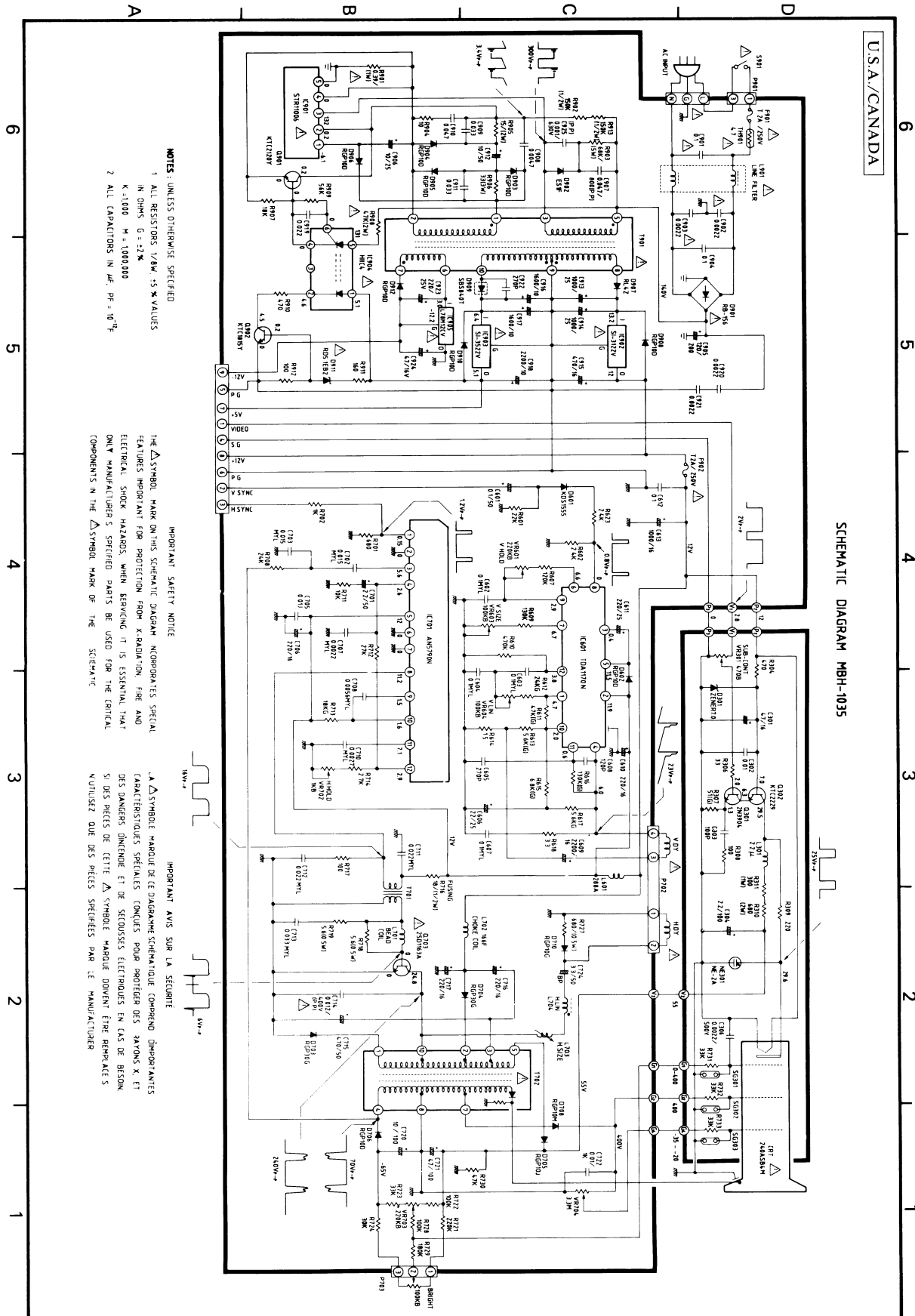
(2) Circuit diagram



3-2. CRT/Unit /Power Supply Unit (MATSUSHITA)  
3. Circuit Diagram



3-3. CRT/Power Supply Unit (GOLD STAR)



**NOTES:** UNLESS OTHERWISE SPECIFIED

1. ALL RESISTORS 1/4W. .5% K VALUES IN OHMS. G = .2% K = 1000 M = 1000000
2. ALL CAPACITORS IN  $\mu F$ . PF =  $10^{-6}$

**IMPORTANT SAFETY NOTICE**

THE  $\Delta$  SYMBOL MARK ON THIS SCHEMATIC DIAGRAM INCORPORATES SPECIAL FEATURES IMPORTANT FOR PROTECTION FROM X-RADIATION, FIRE AND ELECTRICAL SHOCK HAZARDS, WHEN SERVING IT IS ESSENTIAL THAT ONLY MANUFACTURER'S SPECIFIED PARTS BE USED FOR THE CRITICAL COMPONENTS IN THE  $\Delta$  SYMBOL MARK OF THE SCHEMATIC.

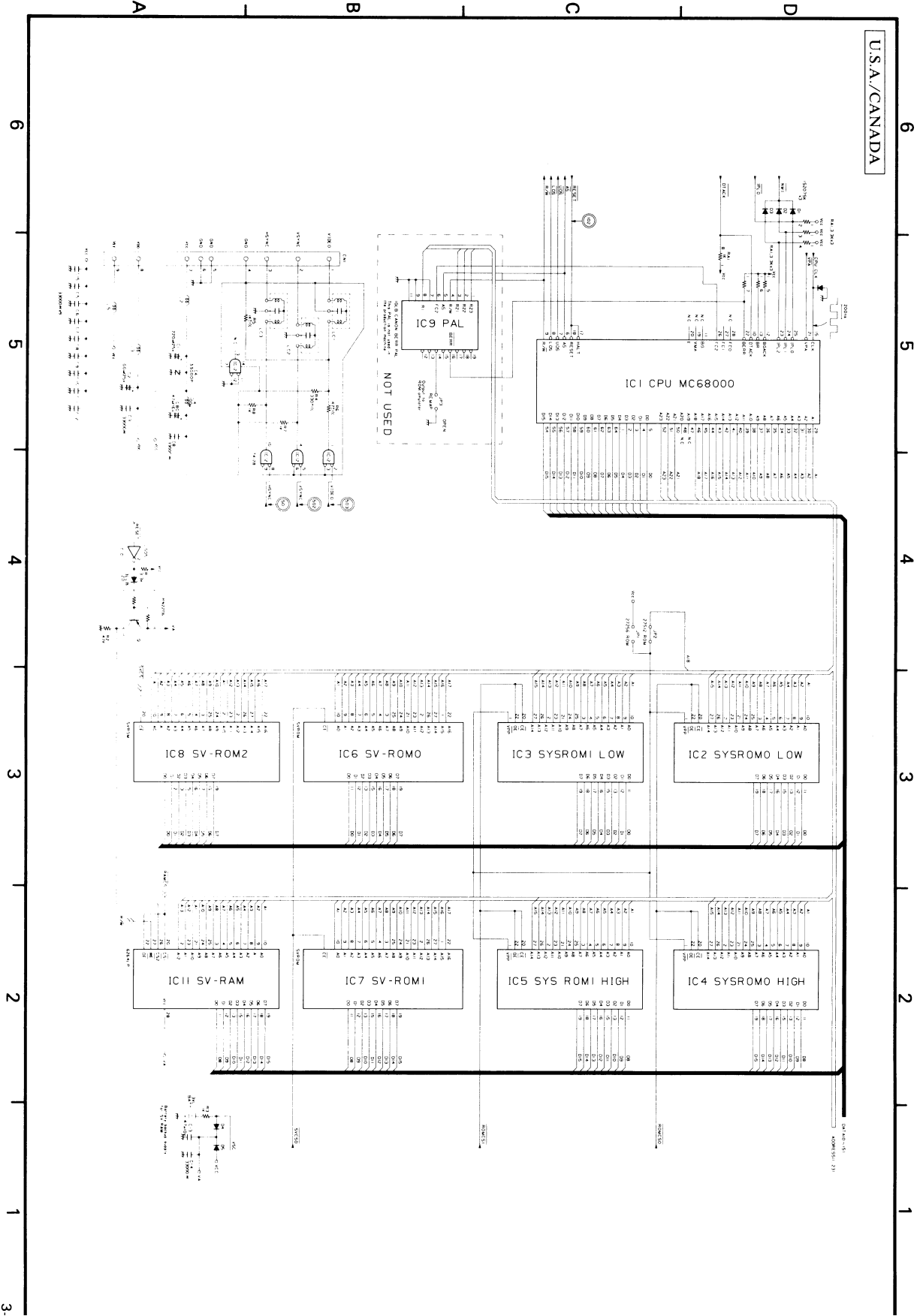
**IMPORTANT AVIS SUR LA SÉCURITÉ**

LE SYMBOLE MARQUÉ DE CE DIAGRAMME SCHEMATIQUE COMPREND DES CARACTÉRISTIQUES SPÉCIALES CONÇUES POUR PROTÉGER DES RAYONS X ET DES DANGERS D'INCENDIE ET DE SECOURS ÉLECTRIQUES EN CAS DE BESOIN. SEULS LES PIÈCES DE CETTE MANUFACTURE DOIVENT ÊTRE REEMPLACÉES.



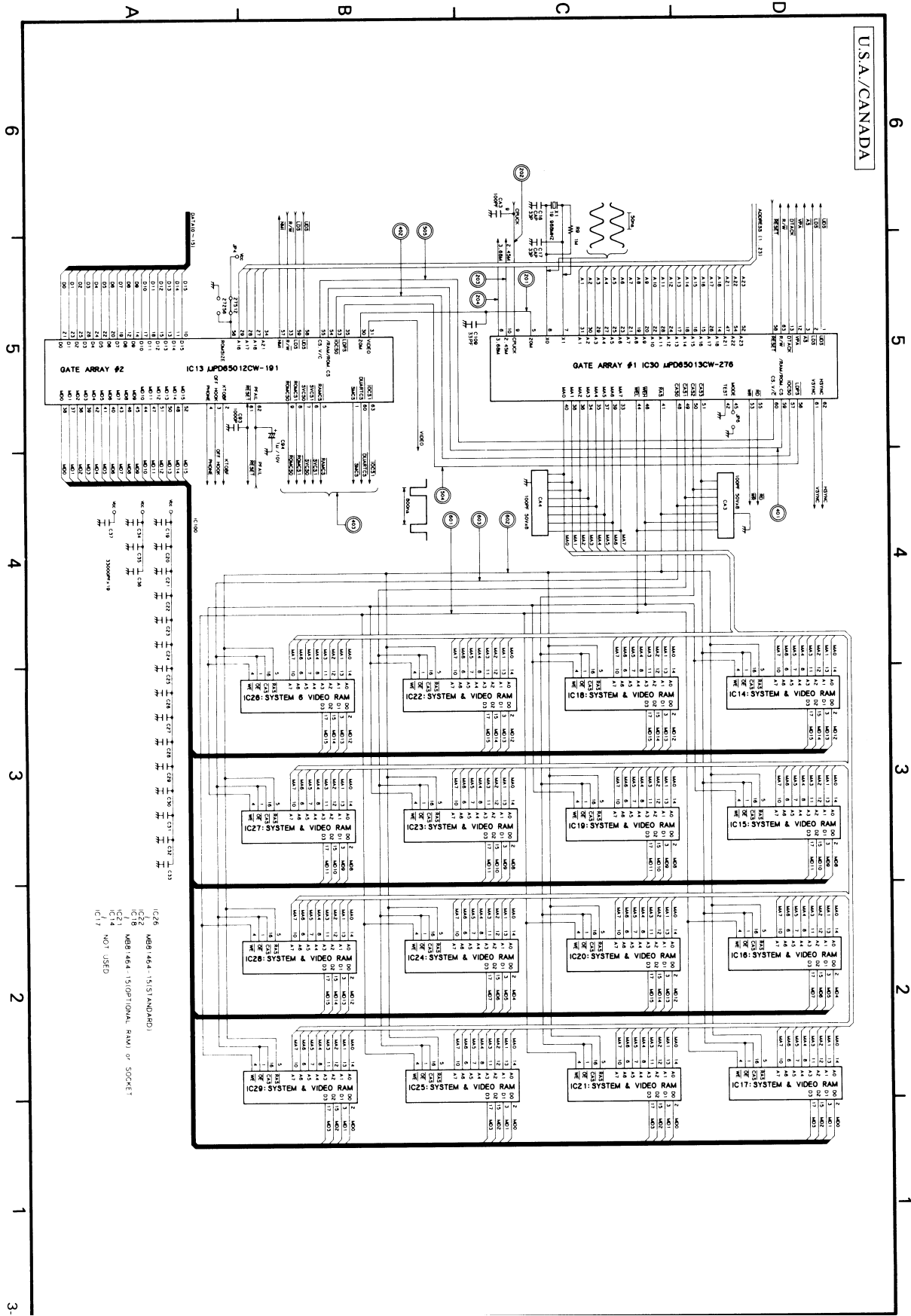
3-4. CPU PCB Unit

U.S.A./CANADA



3.4. CPU PCB Unit

U.S.A./CANADA



IC26 MB81664-151STANDARD)  
 IC25 MB81664-151OPTIONAL RAM) or SOCKET  
 IC24 NOT USED  
 IC17



3.4. CPU PCB Unit

U.S.A./CANADA

